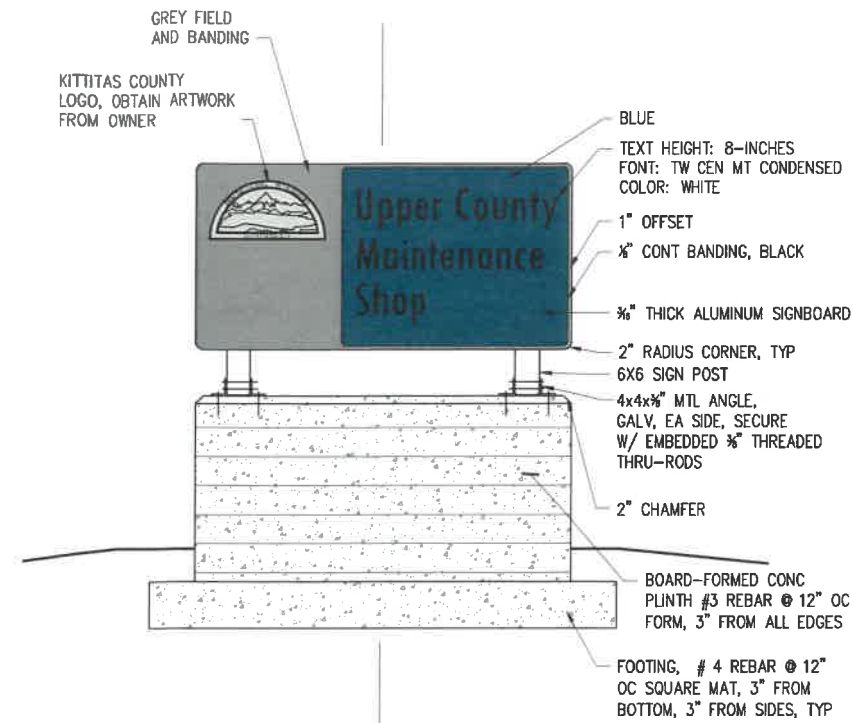
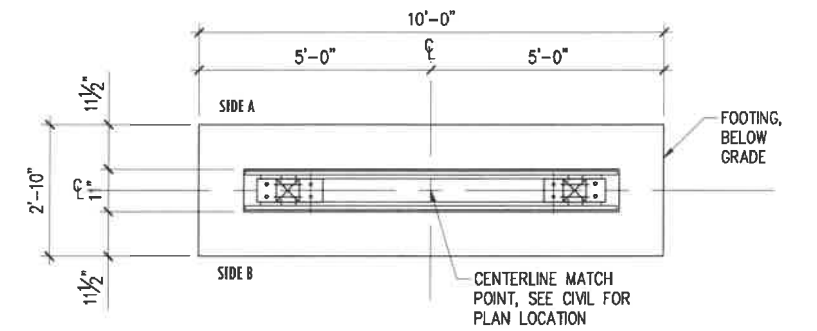


K:\PROJECTS\KITITAS CO\16144-2017 On-Call\TO #5 - UPPER COUNTY MAINT SHOP\2_DESIGN\A_Drawings\C1.05-SIGN.dwg 10/5/2018 8:39 AM



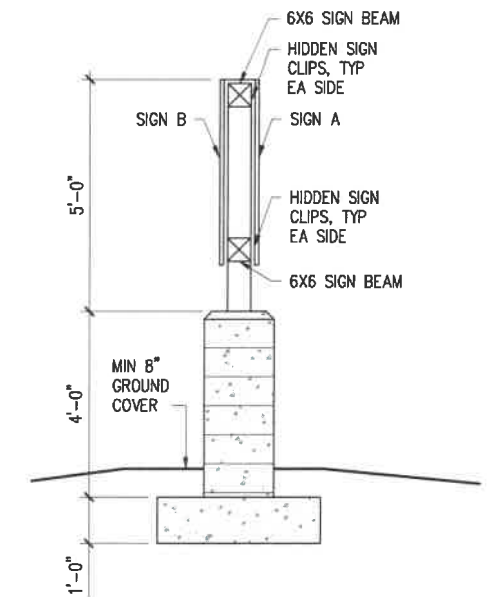
C MONUMENT SIGN SIDE B ELEVATION
SCALE: 1" = 1'-0"



A MONUMENT SIGN PLAN
SCALE: 1" = 1'-0"



D MONUMENT SIGN SIDE A ELEVATION
SCALE: 1" = 1'-0"



B MONUMENT SIGN ELEVATION
SCALE: 1" = 1'-0"

RECEIVED
MAR 19 2019
Kittitas County CDS

1/2" = 1'-0"
Scale 1 0 1 2 3 4 5
Feet

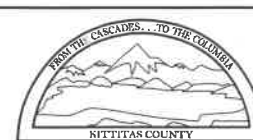
G1.05

NO.	DATE	BY	APPR.	REVISIONS

Approved By		FILENAME	DATE
ENGINEERING MANAGER	DATE	G1.05-SIGN.dwg	2018
PROJECT MANAGER	DATE	S FISCHER	2018
PROJECT ENGINEER	DATE	DESIGNED BY	DATE
		S FISCHER	2018
		DRAWN BY	DATE
		DJ DEAN	2018
		CHECKED BY	DATE



BID DOCUMENTS
9/12/2018



KITITAS COUNTY
UPPER ROAD MAINTENANCE
FACILITY REPLACEMENT

GENERAL SIGN ELEVATIONS & DETAILS		
KPG PROJECT No. 16144W5	SHT 10	OF 105